



# Tiger Lifting

www.tigerlifting.com

Home of the Tiger hoisting range & Tiger subsea lifting products



## Tiger Winches



HW-2000



Loop Drive Ceiling Mounted HW-2000

### General Purpose Hand Winch HW-2000

- 2000lb/900kg capacity
- Available in regular or split reel, which allows for operation of two line or cables for greater versatility
- Available in handle or loop drive models

Model No.	Rated Capacity (Lbs./kgs)	Gear Ratio	Hub Diameter (mm)	Unit Weight (Kg)	Cable Diameter (mm)	Cable Storage Cap.(M)
HW-2000	2000 / 900	41:1	∅ 48	4.82	∅ 5.6	12.0

### Certification:

Each unit comes fully certified with a test certificate or an EC Declaration of Conformity stating compliance with the essential health and safety requirements of the Machinery Directive 2006/42/EC.





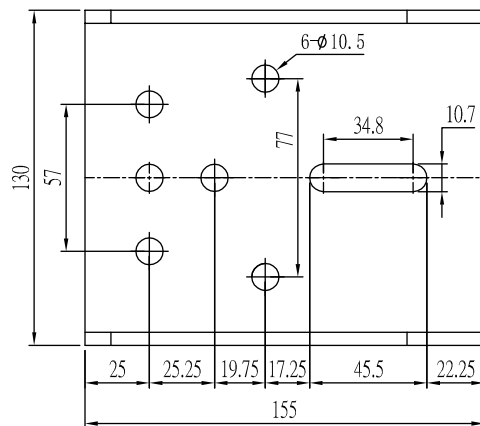
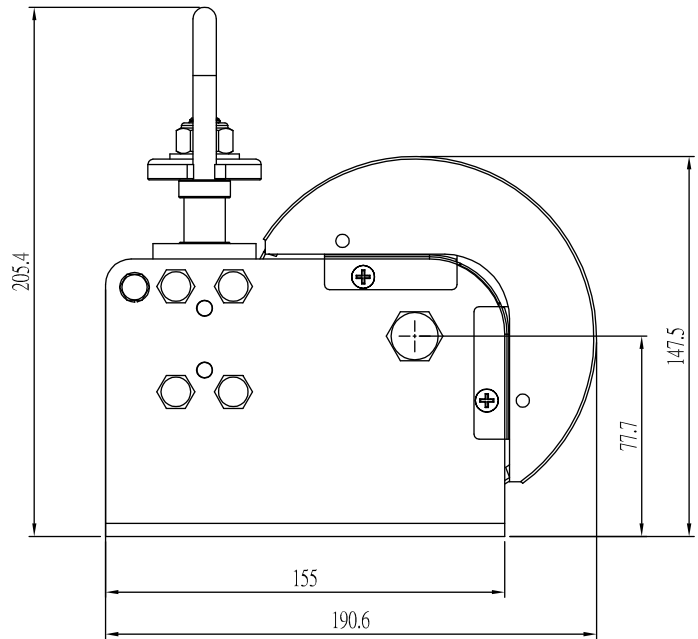
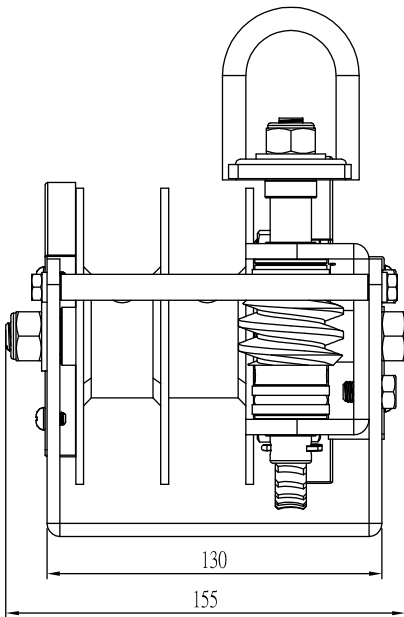
# Tiger Lifting

[www.tigerlifting.com](http://www.tigerlifting.com)

Home of the Tiger hoisting range & Tiger subsea lifting products



## Technical Drawings



Due to our policy of continual product development, dimensions, weights and specifications may change without prior notice. Please check with your Tiger sales team when ordering.

